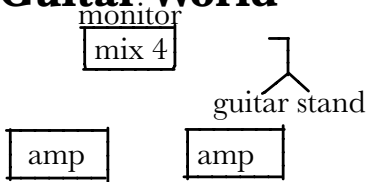


Peace Frog Stage Plot 11/1/2016

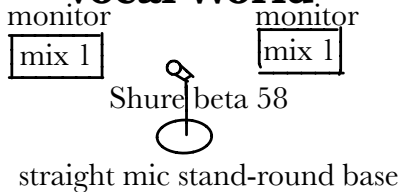
Guitar World



2 tube guitar amps:
Fender Blues Deluxe or
Blues Deville, or Hot Rod Deluxe

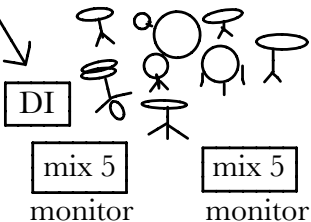
Drums:
4 piece drum kit with mounted rack
tom and floor tom with legs e.g.
Yamaha master touch, Pearl masters,
Tama star series, DW classic:
Bass Drum-20/22", Rack
tom-12/13", Floor tom-14/16"
Two(2) snares-metal 5x14", 6x14"
Hardware: above companies, drum
throne, snare stand, 3 cymbal stands, hi-hat stand
bass drum pedal Heads: all new Remo ambassadors or emperors
Cymbals: A Zildjian-20" ride w/rivets, 16"+18"crashes, 14" new beat hi hats

Vocal World

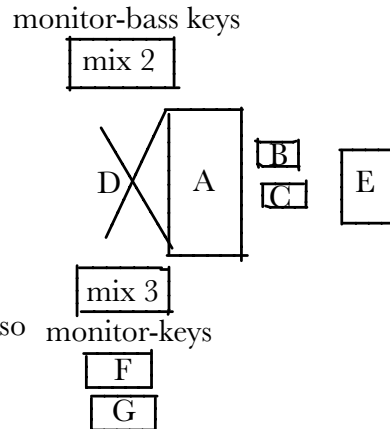


DI is for sampler, short 1/4" cord needed also

Drum World



Keys/Bass Keys World



- A. 88 key midi keyboard such as:
Yamaha S90, A90, Motif 3, etc
- B. Sustain pedal e.g. Yamaha FC 4
- C. Expression pedal e.g. Yam FC7
- D. T-style keys stand, single-tier,
height-adjustable
- E. Bench/Throne height-adjustable
- F. Mono DI for bass keys
- G. Stereo DI for keys